

# IGluxe series

Modelo | *Model* | *Modèle*

**IG-100** Surgical



lámparas | *lamps* | lampes



# IGlux series

La serie I**Glux** ha sido diseñada utilizando LEDS de última generación que mejoran las prestaciones en el campo quirúrgico aportando un mayor rendimiento cromático (CRI) y reduciendo la emisión de calor.

*IGlux series has been designed to improve performance in the surgical field by using the latest LEDS generation that offers a higher colour rendering (CRI) and minimizes heat emissions.*

La série I**Glux** a été conçue en utilisant des LED de dernière génération qui améliorent les prestations dans le domaine chirurgical, en apportant un meilleur rendement chromatique et en réduisant l'émission de chaleur.



Mango extraíble y esterilizable.

*Removable and sterilizable handle.*

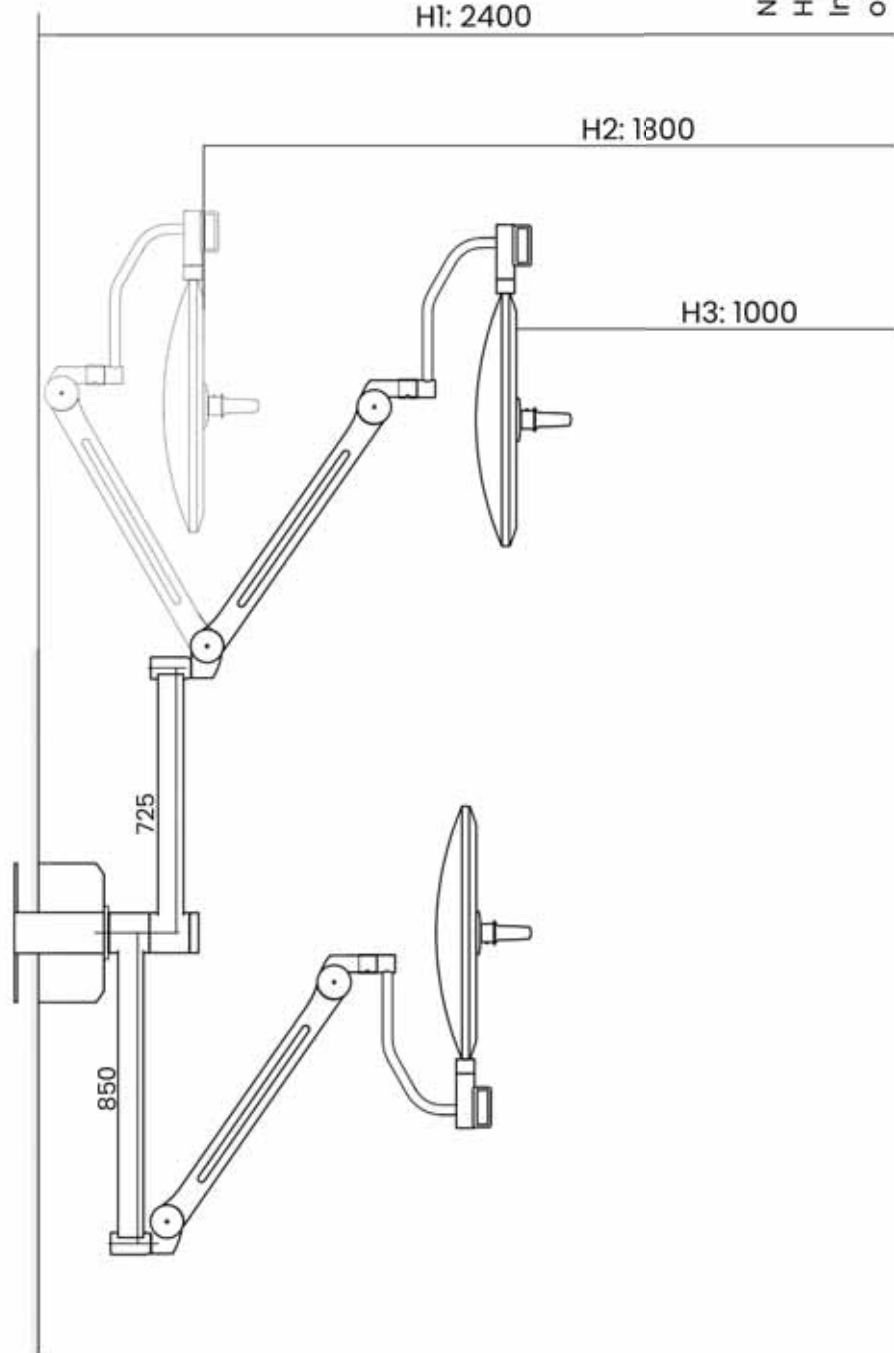
Manche amovible et stérilisable.

De From  
**40.000 lux**  
A To À  
**160.000 lux**  
LED

Regulación de la intensidad lumínica mediante teclado táctil.

*Light intensity adjustment through the touch panel control*

Réglage de l'intensité lumineuse par pavé tactile.



Note:  
 H1, H2, H3 the height of the ceiling  
 might can be Customized Depending  
 on the Ceiling height



**ORDISI**

Tecnología 2, nave 7.  
 08780 Pallejá,  
 Barcelona

Telf. +34 933 340  
 112  
 export@ordisi.com



1. Intensity: 40,000~160,000lux (10-step)
2. Color temperature: 3500~4800k ( 10-step )
3. Light spot: 150~300mm ( 10-step optical )
4. Light dome diameter:  
700mm ( with handle )  
620mm ( without handle )
5. Number of LED: 72PCS
6. Voltage: 70W

De From  
**40.000 lux**  
A To À  
**160.000 lux**  
LED



## Function

1. Intensity\ color temperature\ light spot is adjustable 10-step.
2. 6pcs Second generation light compensation
3. Each touch panel can be used to control both light domes.
4. All yellow led bulbs can be switched off
5. 6 modes of surgery and 2 reserve

## Optional

1. Full HD Camera system and 4k camera system
2. Gesture control
3. Voice control
4. Intelligent fault code feedback